

Models 7037-D and 7037-DT

Introduction

The Models 7037-D and 7037-DT are alternate configurations of the Model 7037 Single-Pole Relay-Digital I/O Card. The Model 7037 consists of a scanner card and a connector card in a sandwich. The configurations are as follows:

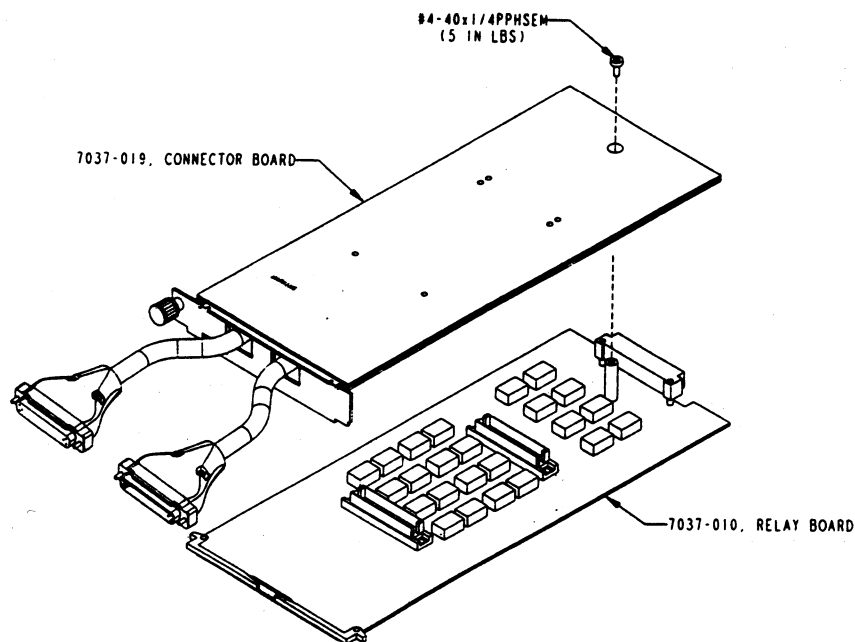
- Model 7037 - Scanner card and mass-terminated card with 96-pin male DIN connector.
- Model 7037-D - Scanner card and mass-terminated card/cable with 50-pin male and female D-Sub connectors.
- Model 7037-DT - Spare mass-terminated card/cable with 50-pin male and female D-Sub connectors.

The Model 7037 is described in its own manual (part number 7037-901-01). This addendum describes additions to that manual for the Models 7037-D and 7037-DT.

Internal connections

The two PC-boards that plug together are secured by a 4-40 screw (see Figure 1).

Figure 1
Mating the PC-boards



Input/output connections

WARNING

Connection and installation procedures are to be performed by qualified service personnel. Failure to recognize and observe standard safety precautions could result in personal injury or death.

Connections to external circuitry are made at the 50-pin D-Sub connectors. Connector pinouts are shown in Table 1. Figure 2 shows the solder-side view of a mating connector.

Table 1
Terminal identification

Male D-Sub (Ch. 25-30, Dig I/O)				Female D-Sub (Ch. 1-24)			
Signal	Pin	Signal	Pin	Signal	Pin	Signal	Pin
25H	17	DIG OUT 40	5	1H	17	13L	25
25L	33	DIG IN 1	9	1L	33	14H	42
26H	50	DIG IN 2	27	2H	50	14L	8
26L	16	DIG IN 3	45	2L	16	15H	24
27H	32	DIG IN 4	8	3H	32	15L	41
27L	49	DIG IN 5	26	3L	49	16H	7
28H	15	DIG IN 6	7	4H	15	16L	23
28L	31	DIG IN 7	6	4L	31	17H	40
29H	48	DIG IN 8	25	5H	48	17L	6
29L	14	DIG IN 9	44	5L	14	18H	22
30H	30	DIG IN 10	24	6H	30	18L	39
30L	47	N/C	13	6L	47	19H	5
GND	12	N/C	29	7H	13	19L	21
SHIELD	11	N/C	46	7L	29	20H	38
SHIELD	10	N/C	41	8H	46	20L	4
VEXT	28	N/C	19	8L	12	21H	20
DIG OUT 31	20	N/C	35	9H	28	21L	37
DIG OUT 32	36	N/C	34	9L	45	22H	3
DIG OUT 33	4	N/C	40	10H	11	22L	19
DIG OUT 34	21	N/C	18	10L	27	23H	36
DIG OUT 35	22	N/C	3	11H	44	23L	2
DIG OUT 36	37	N/C	2	11L	10	24H	18
DIG OUT 37	23	N/C	1	12H	26	24L	35
DIG OUT 38	38	N/C	42	12L	43	N/C	1
DIG OUT 39	39	N/C	43	13H	9	N/C	34

Figure 2
Mating connector (solder-side view)

